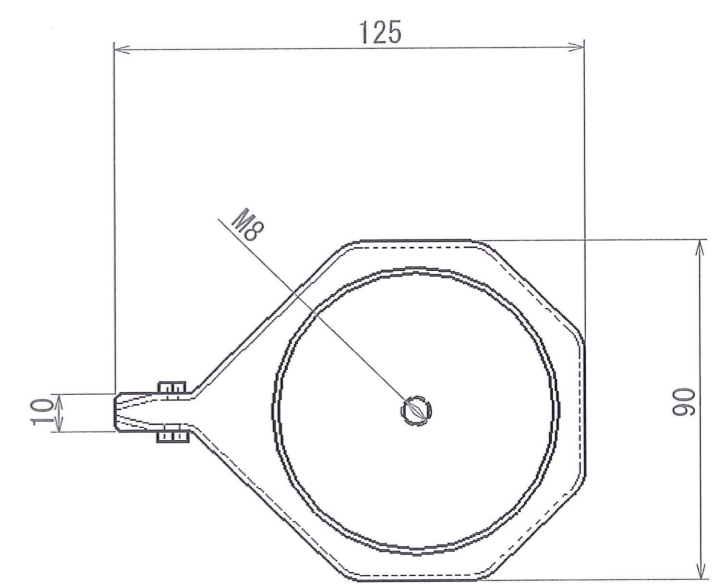
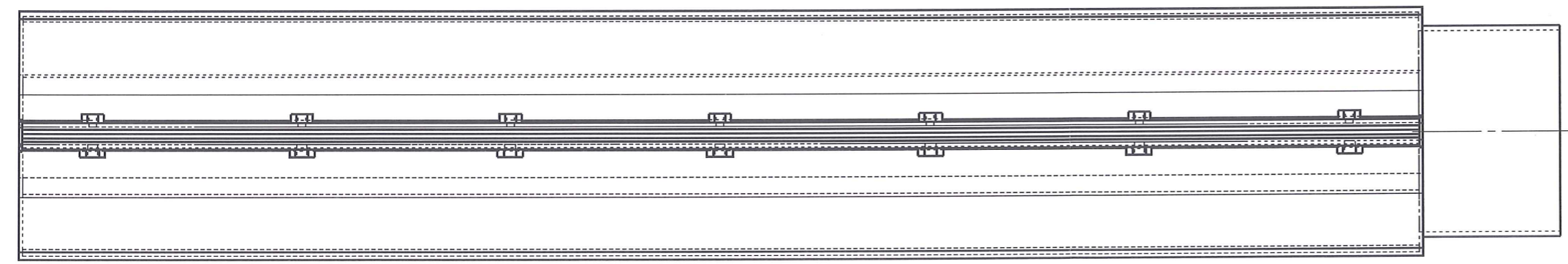
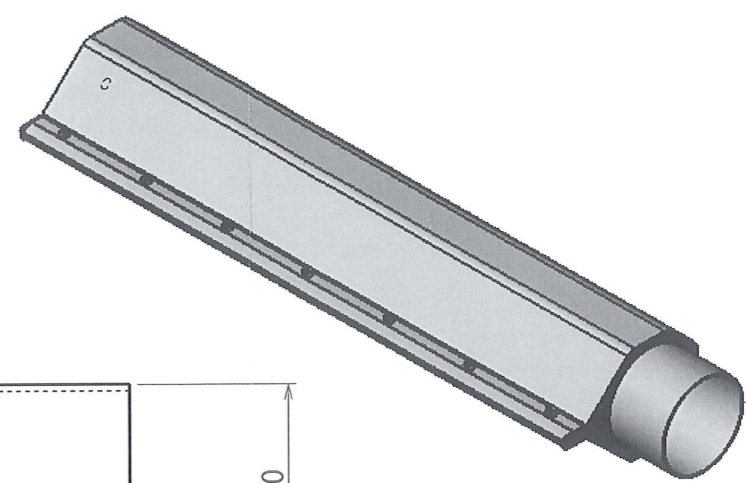
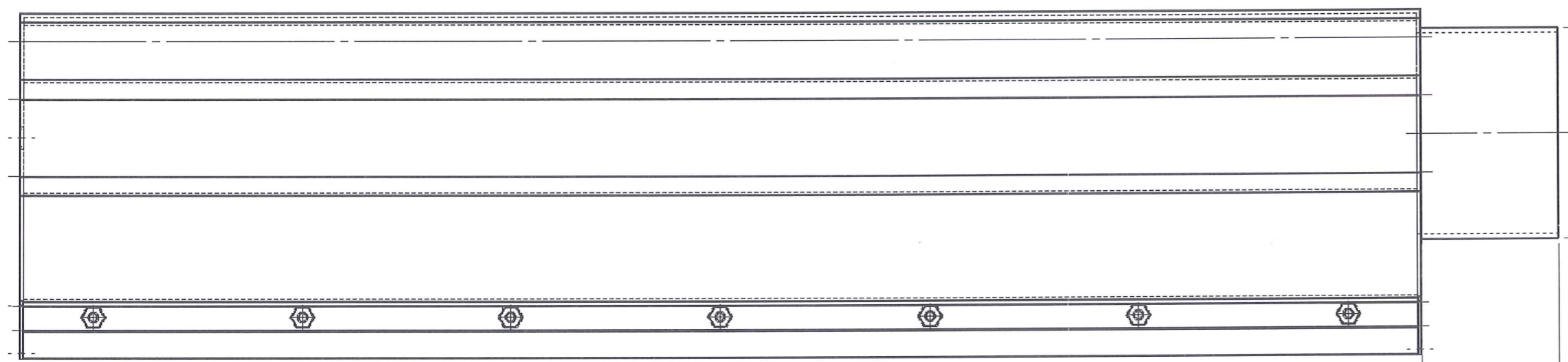


1 2 3 4 5 6 7 8

A B C D E F



UNLESS OTHERWISE SPECIFIED: DIMENSIONS ARE IN MILLIMETERS SURFACE FINISH: TOLERANCES: LINEAR: ANGULAR:				FINISH:		DEBUR AND BREAK SHARP EDGES		DO NOT SCALE DRAWING		REVISION	
DRAWN				NAME		SIGNATURE		DATE		TITLE:	
CHK'D										DIEC 060921	
APPV'D										DWG NO.	
MFG										3インチ径 ナイフ	
Q.A								MATERIAL:		A3	
								WEIGHT:		SCALE:1:5	
										SHEET 1 OF 1	

1 2 3 4